



Heritage window systems

Contents

4 Why Choose Aluminium?

6 Inspired by History

8 Optio 58BW ST Heritage

11 Window Configurations

12 Frame Profiles

24 Hardware

26 Colour Range

Tradition **all**

Whether you're undertaking a restoration, planning a renovation, building an extension or having a straight-forward replacement, Heritage window systems from AluK are ideal for your project.

From sensitive planning areas to listed buildings, we fully understand the different demands – which is why we've ensured that all our window systems not only meet, but also exceed them.

Designed to replicate the appearance and slim sight lines of steel windows, our Heritage systems offer superior security with exceptional weather and thermal performance.

They also offer award-winning U-Values for both double and triple glazing.

In fact, AluK was the first company to have an A-rated aluminium double-glazed window system released into the market. We're pretty proud of that!

Our Heritage window systems are available in a wide range of styles and configurations including fixed light and French casement, as well as top, side and bottom hung.

And that's not all. Our windows come with a range of colour options and finishes, along with a full suite of impressive hardware.

Why choose AluK aluminium systems?

For over 30 years, we've been at the forefront of aluminium window and door design.

But why aluminium?

It's lightweight, strong and almost 100% recyclable.

It doesn't warp or rust and is near maintenance-free.

Plus it's exceptionally versatile and easy to install. And that's really just for starters.

Design

Without compromising on strength, our Heritage window systems are designed to offer your customers the narrowest of sightlines, providing larger glazing areas to allow far greater light into their homes.

These systems are integrated and designed for maximising profiles and parts, as well as to ensure fast fabrication and a wide range of installation options.

Colour

Access a large spectrum of contemporary and classic colour choices and finishes.

We also offer a range of standard single and dual colour products from stock with our Colour+ offer

For full Colour+ details email info.uk@aluk.com

Security

We understand the importance of security to your customers. That's why our Heritage window systems are independently tested to ensure that they meet all current security regulations for new-builds and are extremely burglar-resistant, too.

Most of our systems are also certified by PAS 24, Secured by Design and Q-Mark-accredited.

Thermal efficiency

Our Heritage window systems offer award-winning U-Value performance for both double and triple glazing.

In fact, AluK was the first company to have an A-rated aluminium double-glazed window system released into the market.

Performance

Each system includes water and acoustic barriers, whilst utilising the latest manufacturing technologies and techniques to provide long-term peace of mind.

They also have integrated drainage paths which allow water to pass through the system.

All this, combined with high-quality air seals and barriers, ensures that our Heritage window systems can tackle the ever-changing British climate with ease.

Window Energy Ratings (WERs)

Our Heritage window systems are rated for their energy efficiency using the familiar A-G scale. This allows homeowners and architects to instantly understand which windows will best-suit their projects.

Window Energy Ratings (WER) also affect fabricators. This is

because to supply WER products, a fabricator must join an official and recognised scheme.

This is to ensure that manufacturers can prove that they have audited processes in place, and that the ratings displayed are accurate. As you'd expect, we have our

own group scheme at AluK. This provides members with fast-track access to all of our WER data, saving them valuable time and effort.

For a more detailed look at our ratings, download our **WER Guide** at aluk.co.uk

Service excellence

Without compromising on strength, our Heritage window systems are designed to offer your customers the narrowest of sightlines, providing larger glazing areas to allow far greater light into their homes.

These systems are integrated and designed for maximising profiles and parts, as well as to ensure fast fabrication and a wide range of installation options.

AluK Academy

Training is another key service that we provide. From Continuing Professional Development (CPD) courses and toolbox talks to hands-on guidance at our Academy Centre, we have a wide range of training options to suit all customers.

You can visit alukacademy.co.uk for more information.

Inspired by history Inspiring today

We offer a wide range of windows frame options that cater for various applications such as interface depths or bay angles.

We also understand that the ability to combine frame options is a major benefit to both the cost and appearance.

Our frame options include deep head profiles for trickle vents, odd leg frames for accommodating hardware timber and heritage for overcoming stone mullion and cill details.

Equal leg frame options are available from 43mm, 53mm and 73mm options.

Frame extenders are also available for our 70mm systems and for improved U-values.



› Openings

AluK windows are available in a full range of opening options; from open out, side hung, top hung, bottom hung and tilt before turn, to French casement, fixed light and multi-light.

› Aesthetics

We offer a wide range of internal and external aesthetic styles. Stepped Edge, Square and Putty Line options can really make any project look modern or traditional.

› Glazing options

Every project is different, which is why our systems allow for both internal and external glazing options.

We also offer glazing add-ons to suit heritage style applications such as georgian bars.

APPLICATIONS

- › Refurbishment and new builds
- › Conservation and heritage areas
- › Residential and social housing
- › Listed and period buildings
- › Domestic and light commercial
- › Low, medium and high rise

DESIGN FEATURES

- › From odd leg and equal leg to deep head and frame reversers
- › Internal and external glazing options
- › PAS 24 certified
- › Integrated systems for maximising profiles and parts
- › Three chamber profile for maximising strength while crimping - achieves perfect corner assembly every time

Optio

58BW ST Heritage

The look of steel, the benefits of aluminium. A win-win for both designers and homeowners.

Featuring industry-leading build quality, our Optio 58BW ST Heritage system is an ideal aluminium replacement for existing steel windows.

In addition to impressive thermal and acoustic performance, its design also replicates the minimal sightlines associated with steel windows, whilst providing superior security.



➤ Square ➤ Putty Line ➤ Stepped Edge

DESIGN FEATURES

- Secured by Design accreditation
- Certified by PAS 24
- Green Guide A-rated
- Unique polyamide thermal break design to improve thermal performance
- Integrated deep head profiles for ease-of-trickle ventilation
- Slim sightlines to mimic existing steel windows
- Internally beaded for ease-of-glazing on high-rise projects

OPTIONS

- 58mm or 70mm frame depth to accommodate varied types of applications
- Glazing 24mm – 32mm
- Available internally or externally glazed
- Available in a range of single or dual colour and anodised finishes
- Available in the following aesthetics; Putty-Line, Stepped Edge, Square
- Available in the following configurations; top hung, side hung, bottom hung, fixed light, multi-light and French casement
- Accommodates standard hardware

SPECIFICATIONS

Performance and accreditation	Outward opening
U-value (double glazing)	1.4 W/m²K
U-value (triple glazing)	1.2 W/m²K
Window energy rating (WER)	A - B
Green guide rating	A rated
Acoustic performance (dB)	Rw (C;Ctr) 43 (-2;-5) dB
Air tightness (Pa)	Class 4 (600 Pa)
Water tightness (Pa)	Class 9A (600 Pa)
Wind load (Pa)	Class E2400 (2400 Pa)
Security	PAS 24
3rd party certification	Q-mark
Secured by design	Yes

Configurations	
Opening	Open out
Top hung	✓
Side hung	✓
Bottom hung	✓
Fixed light	✓
Multi-light	✓
French casement	✓

Size limits	
Top hung (max weight)	35 Kg
Side hung (max weight)	24 Kg
Bottom hung (max weight)	60 Kg (3 hinges)
Fixed light (max weight)	250 Kg
Minimum Height	350mm
Maximum Height	1500mm
Minimum Width	350mm
Maximum Width	1250mm

System features	
Frame depth	58mm and 70mm
Dual colour option	✓
Multi-point locking	✓
Glazing options	Internal and external
Glazing thickness	24mm - 32mm
Sightline (Frame to Vent)	66mm
Sightline (Vent to Mullion)	81mm
Sightline (Fixed Light)	43mm

Aesthetics	
Putty Line	✓
Stepped Edge	✓
Square	✓

U-value (Double Glazing) - Windows are calculated using EN ISO 10077 - Part 2, 1230mm x 1480mm Side hung next to fixed light with Ug: 1.0 W/m²K using AW603 outerframe and AW614 vent
 U-value (Triple Glazing) - Windows are calculated using EN ISO 10077 - Part 2, 1230mm x 1480mm Side hung next to fixed light with Ug: 0.7 W/m²K using AW603 outerframe and AW685 vent
 Green Guide Rating - Calculated using the Green Guide 2008 ratings for domestic windows, Powder Coated Aluminium window (Profile <0.88kg/m) double glazed
 Acoustic Performance (dB) - Tested using AW604 outerframe and AW685 vent, 8/16/8.8mm Acoustic Laminated Glass
 Top Hung (max weight) - Based upon Nico 24" Standard top hung friction stay
 Side Hung (max weight) - Based upon Nico 16" Standard side hung friction stay
 Bottom Hung (max weight) - Based upon 3 x RW20M hinges



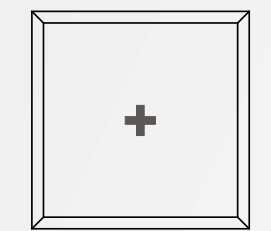


Window Configurations

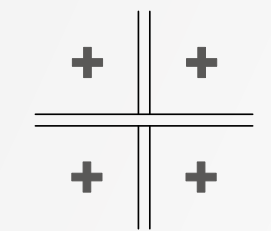
Beautifully **organised**

As with all AluK aluminium system, you'll find an extensive choice of configurations available to choose from.

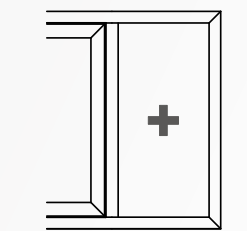
WINDOW CONFIGURATIONS



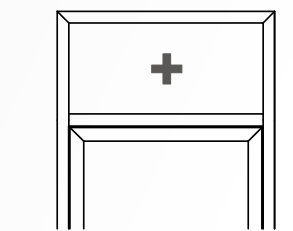
FIXED LIGHT



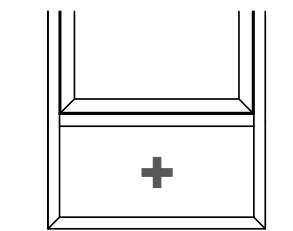
FIXED LIGHT CRUCIFORM



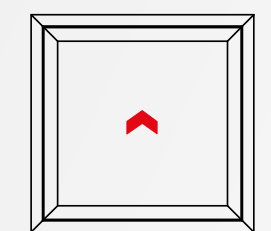
SIDE LIGHT



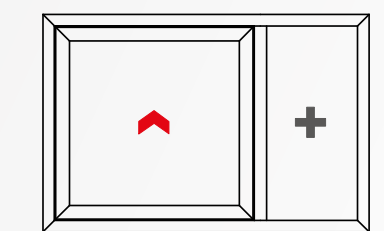
FAN LIGHT



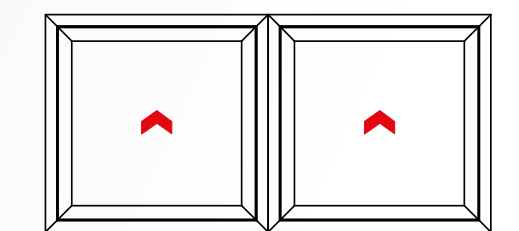
WINDOW OVER FIXED



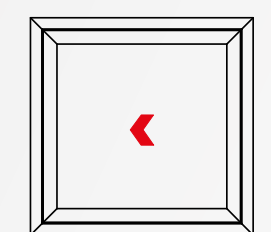
TOP HUNG



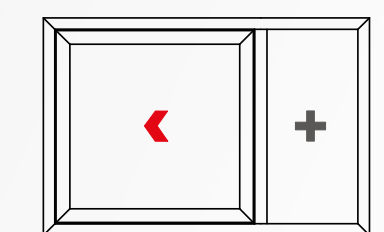
TOP HUNG NEXT TO SIDE LIGHT



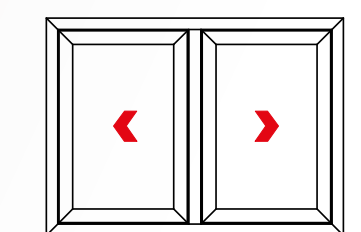
COUPLED WINDOW



SIDE HUNG



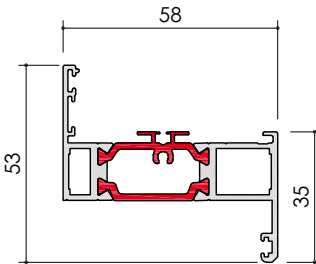
SIDE HUNG NEXT TO SIDE LIGHT



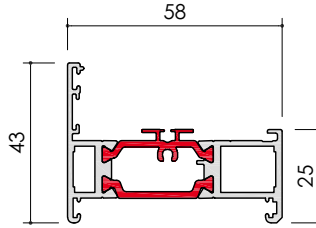
FRENCH CASEMENT

Frame Profile 58mm

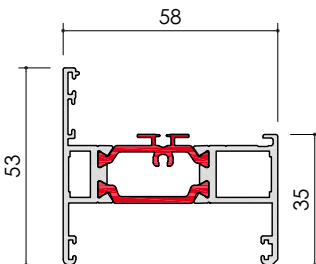
Outer Frame



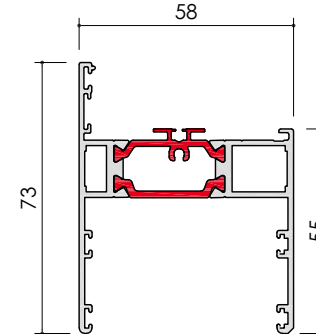
58BW ST / AW603



58BW ST / AW604

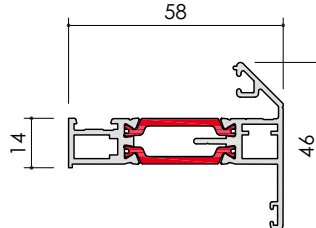


58BW ST / AW605

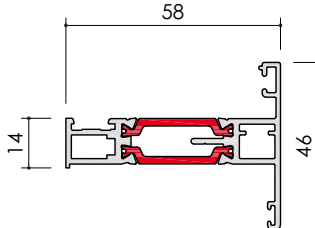


58BW ST / AW608

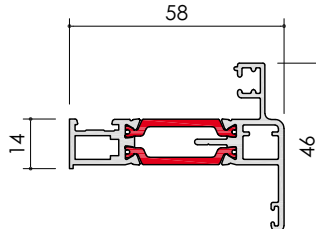
Vent



58BW ST / AW614A

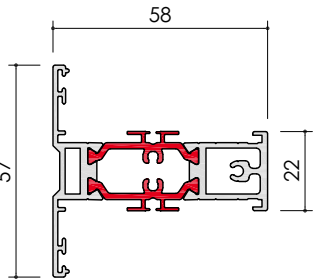


58BW ST / AW685

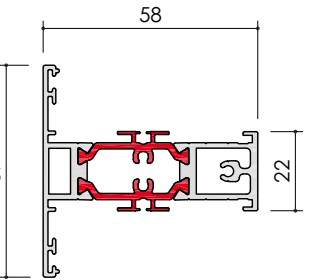


58BW ST / AW686

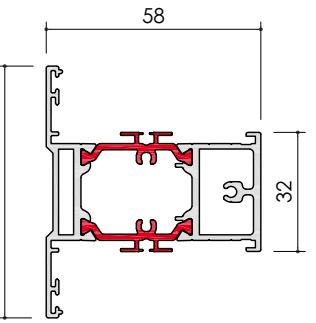
Mullion / Transom



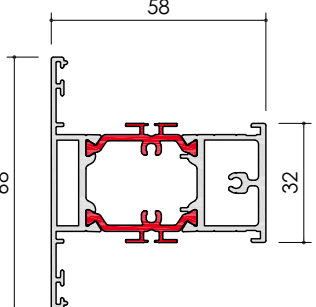
58BW ST / AW631



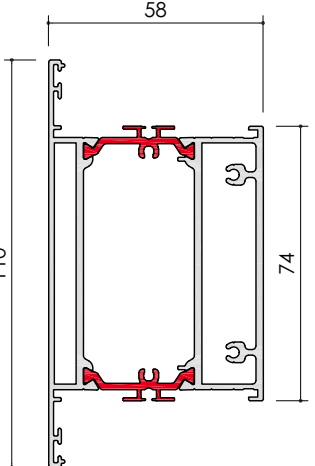
58BW ST / AW632



58BW ST / AW633



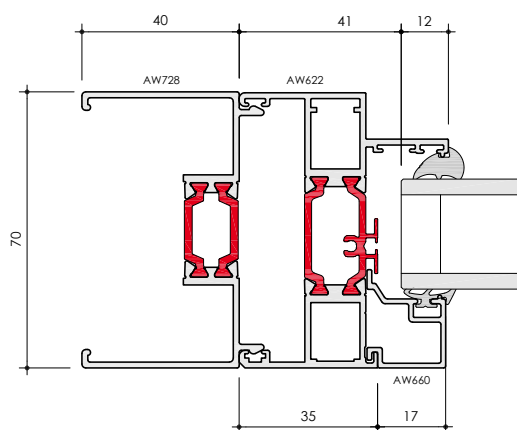
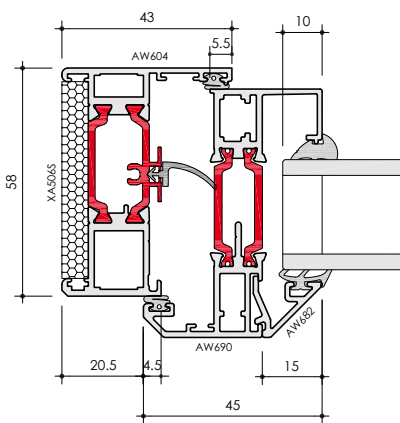
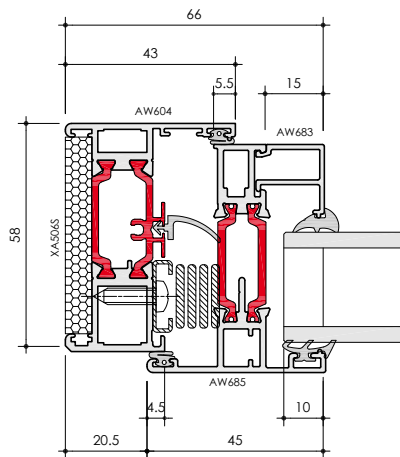
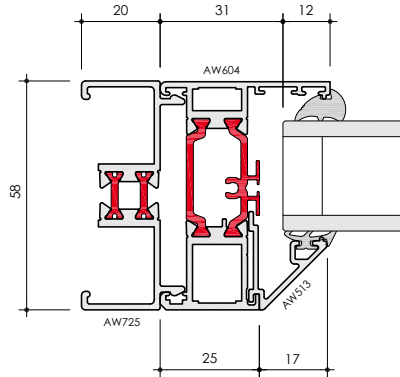
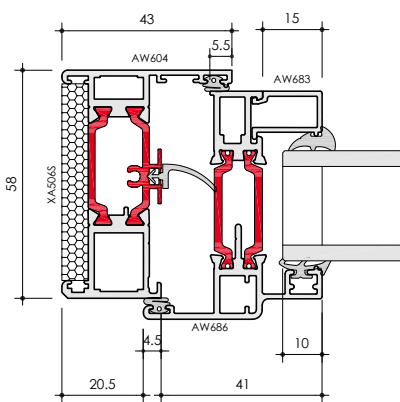
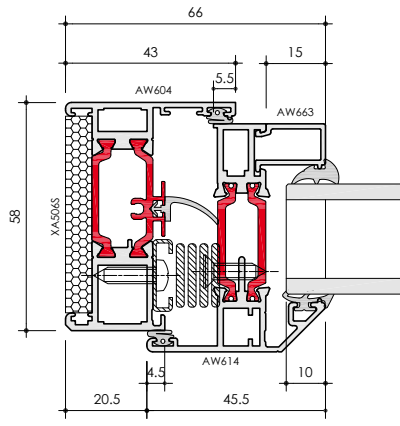
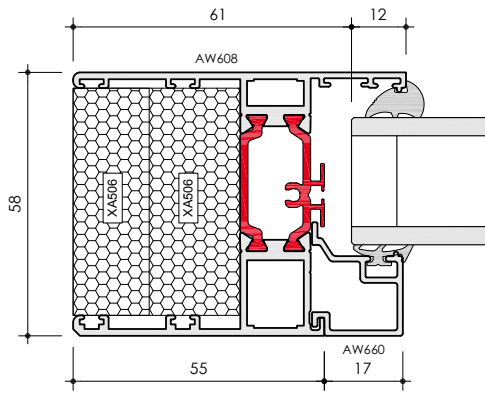
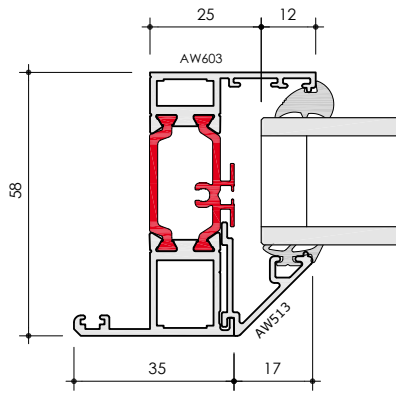
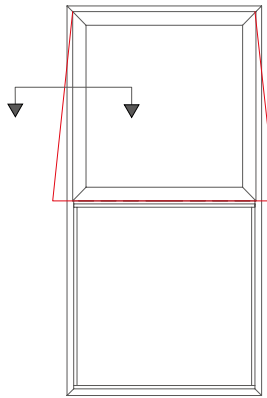
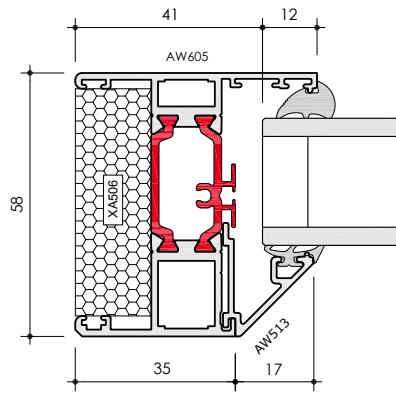
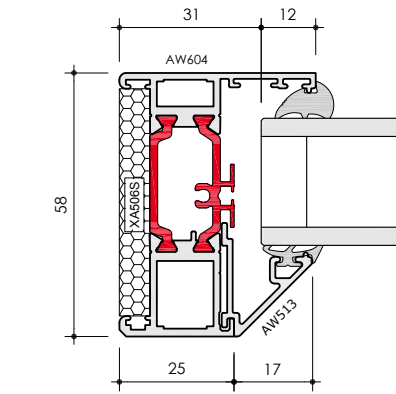
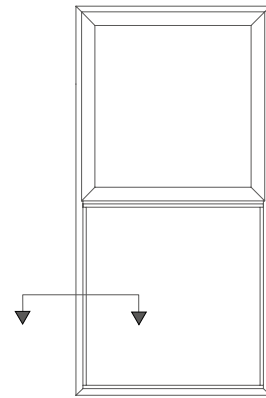
58BW ST / AW634



58BW ST / AW635

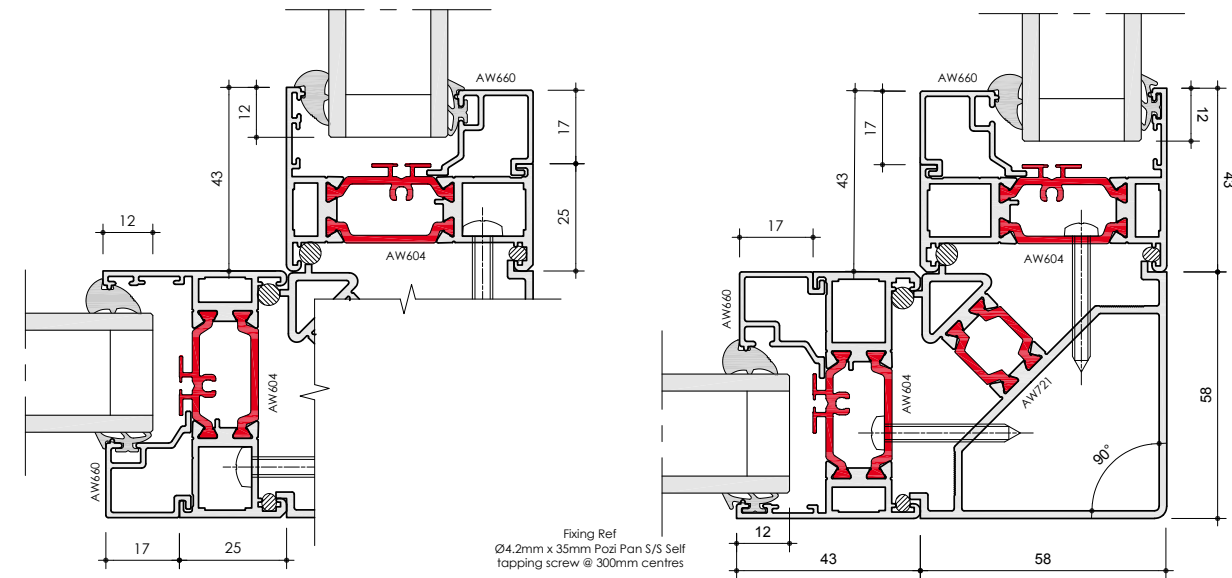
Frame Profile 58mm

Jamb Sections

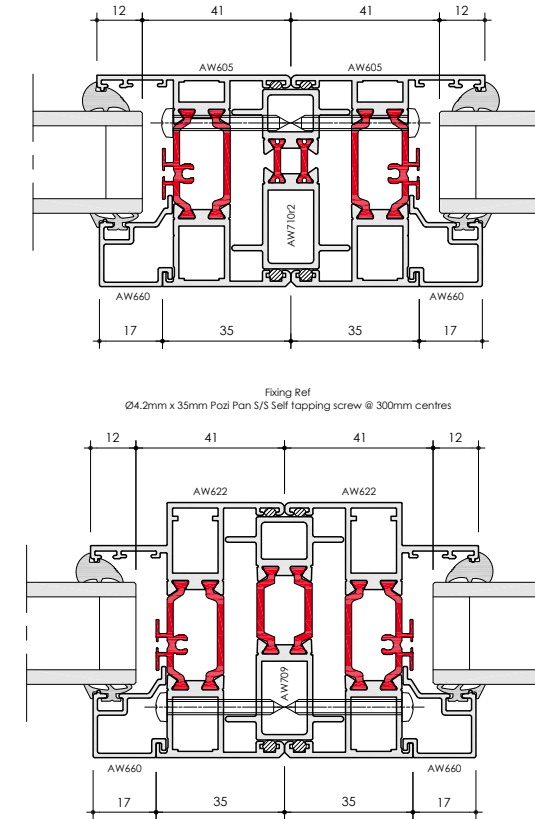


Frame Profile 58mm

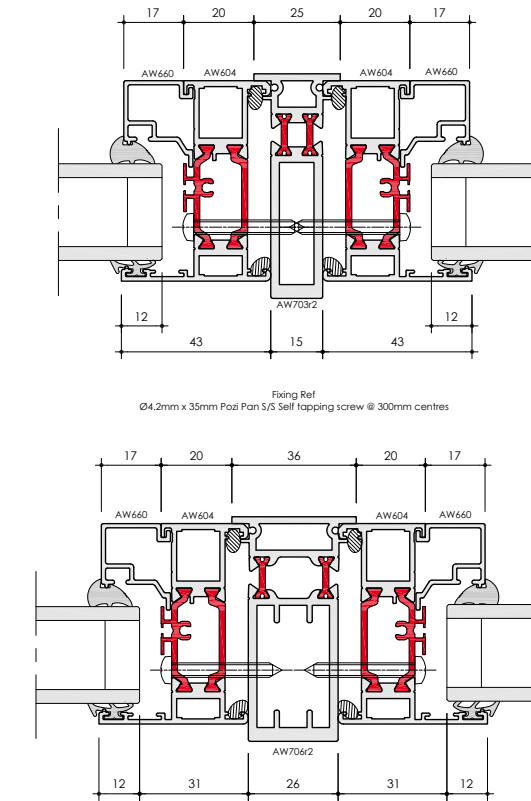
Corner Post



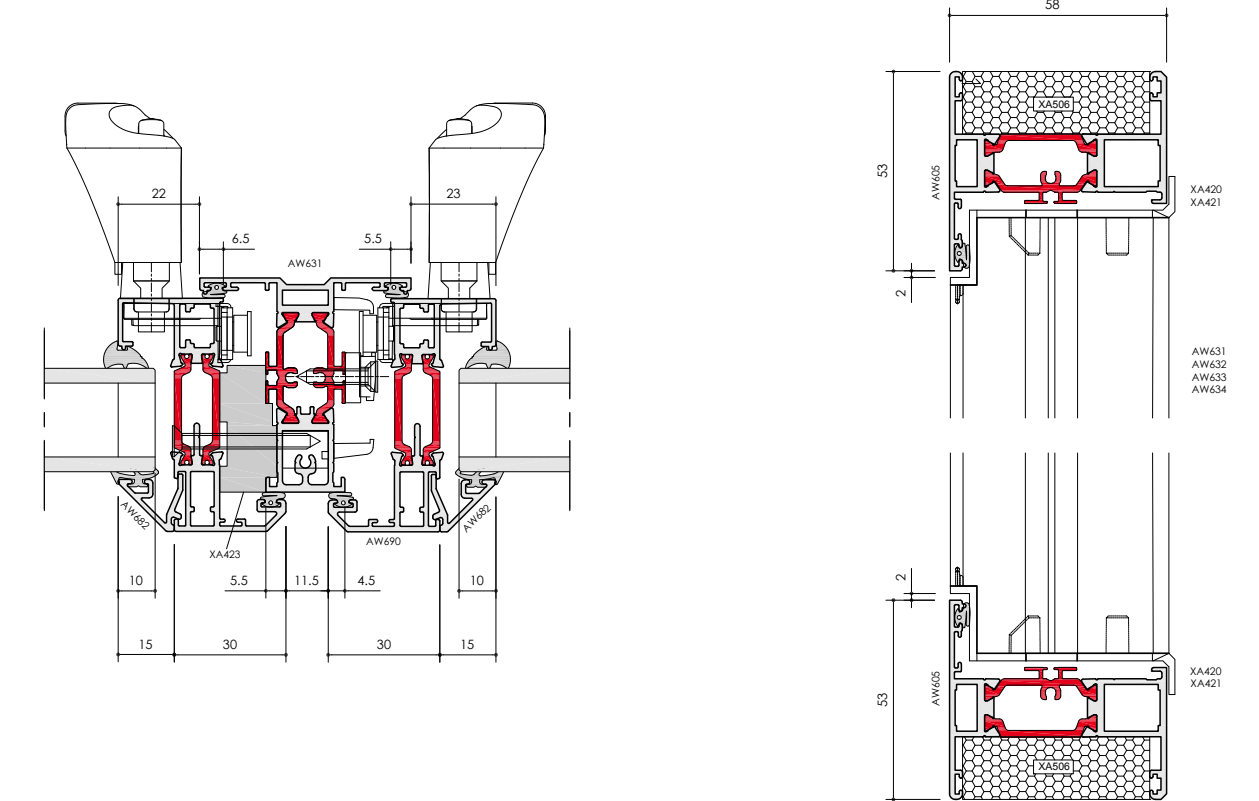
Concealed Coupler



Coupler

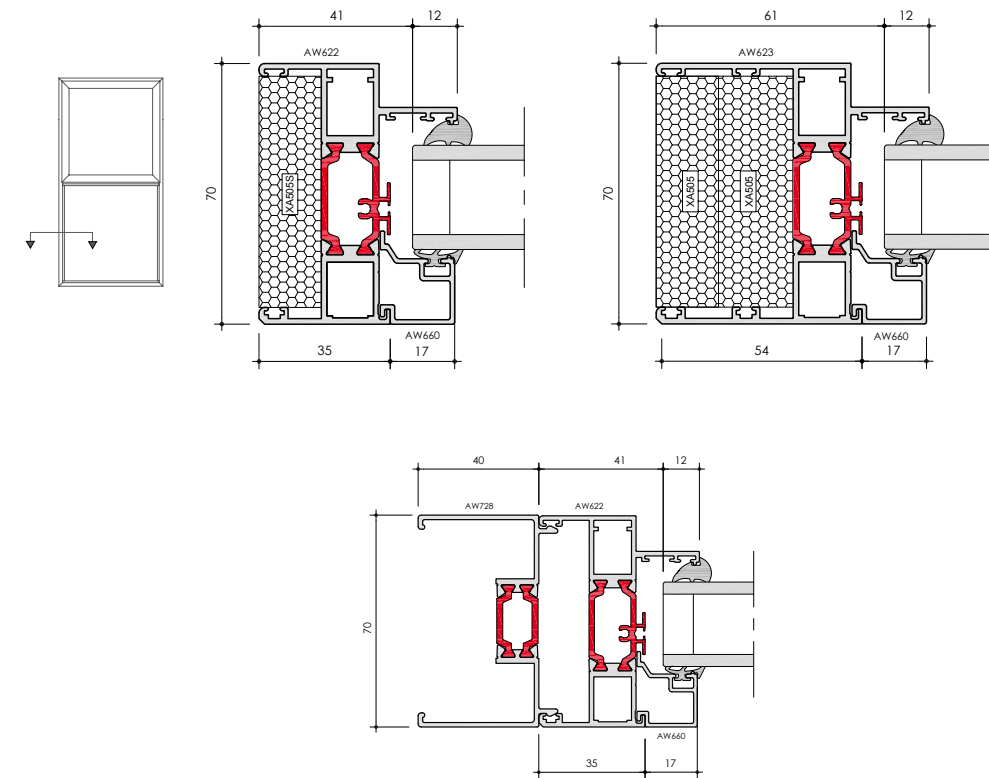


French Casement

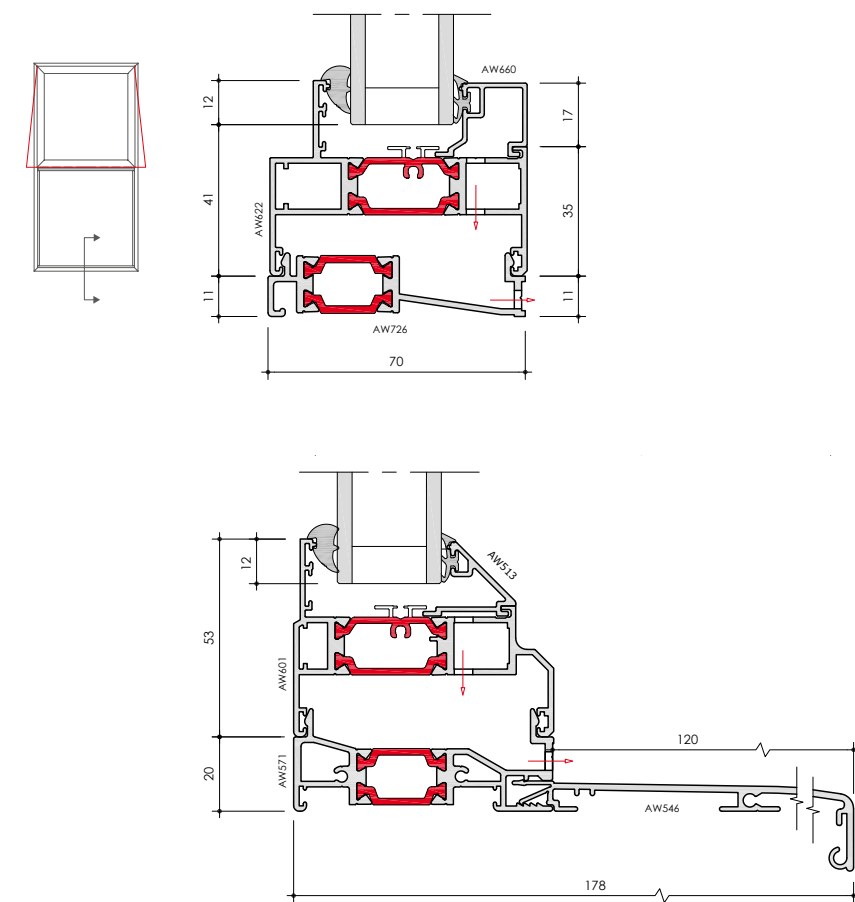


Frame Profile 70mm

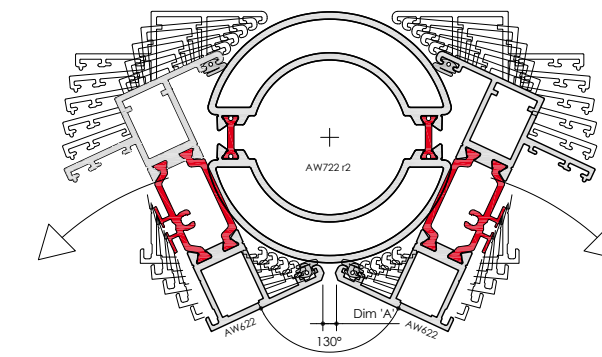
Jamb Sections



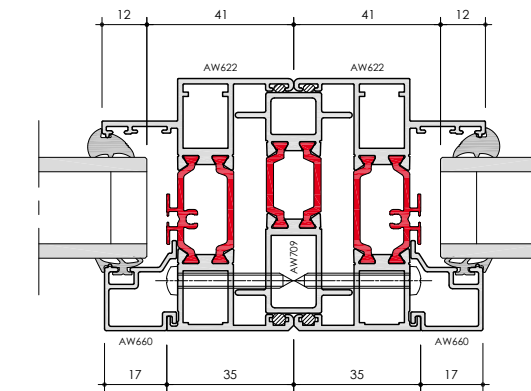
Cill



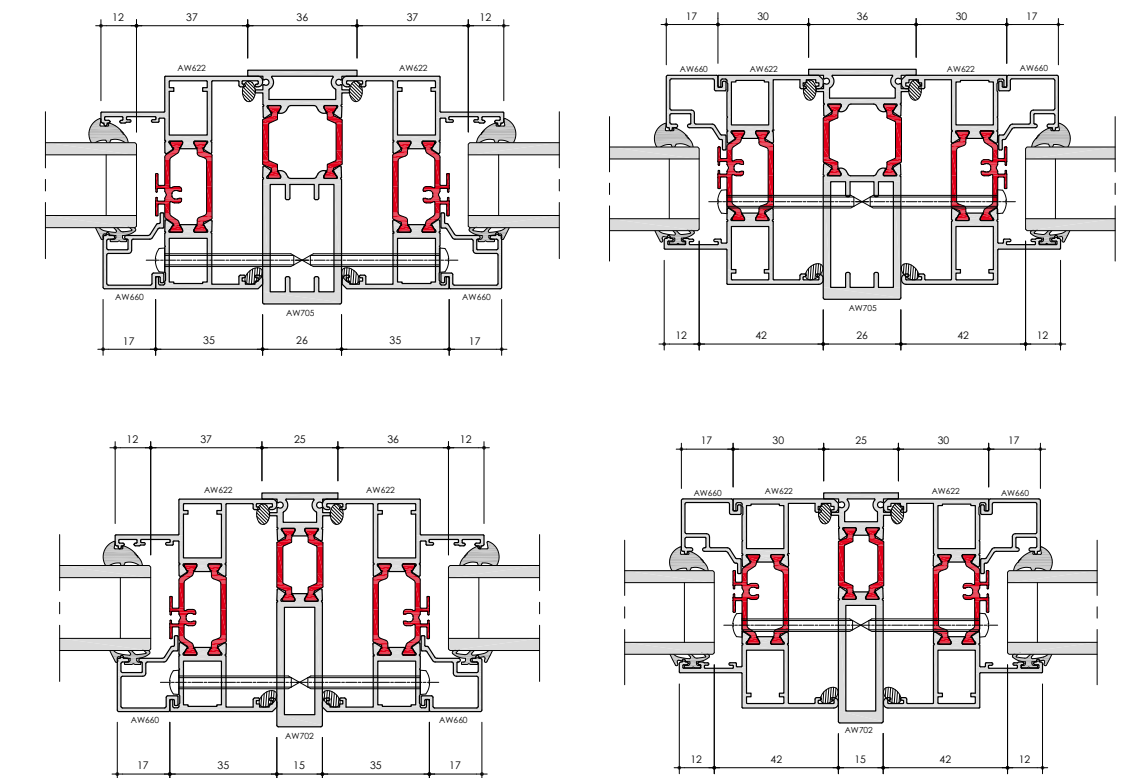
Bay Pole



Concealed Coupler

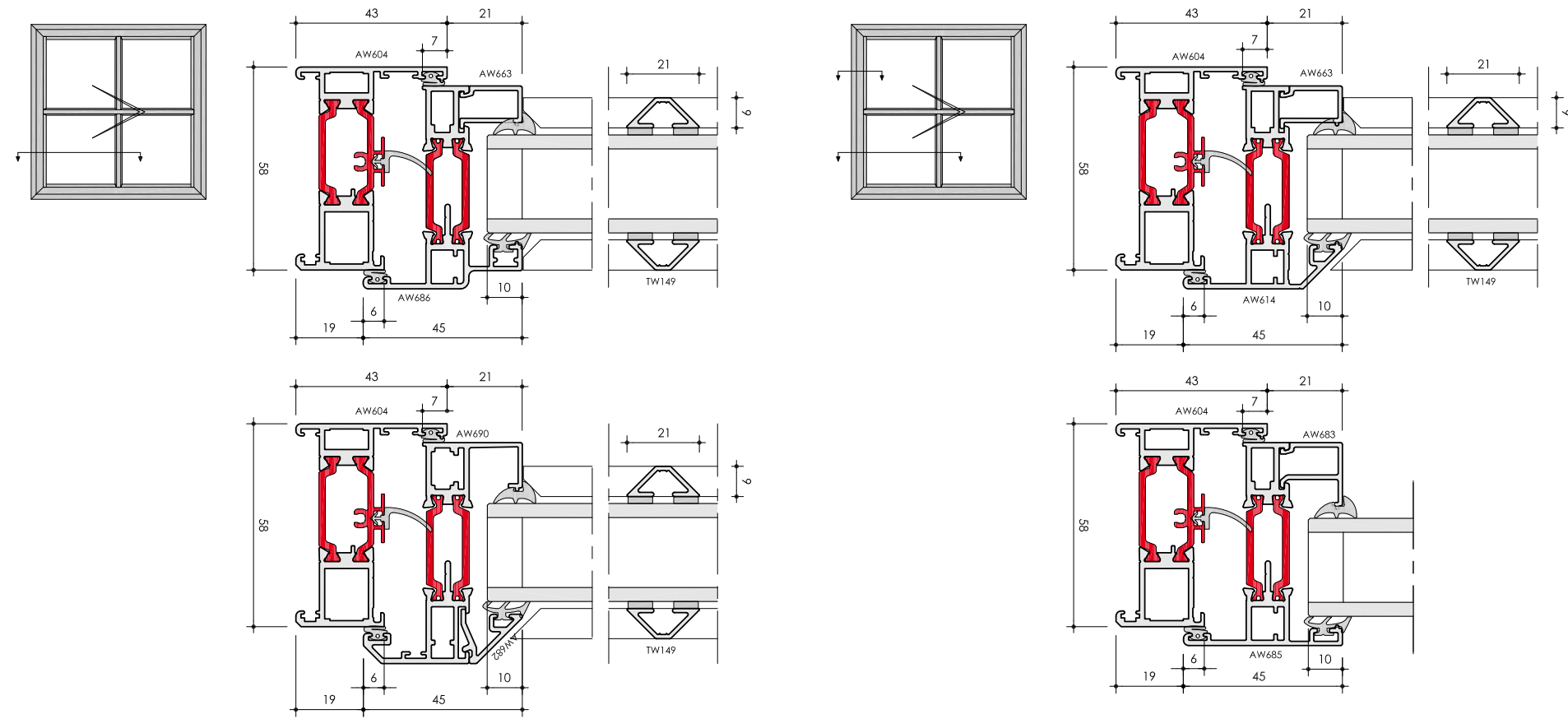


Couplers



Glazing Details

Georgian Bar

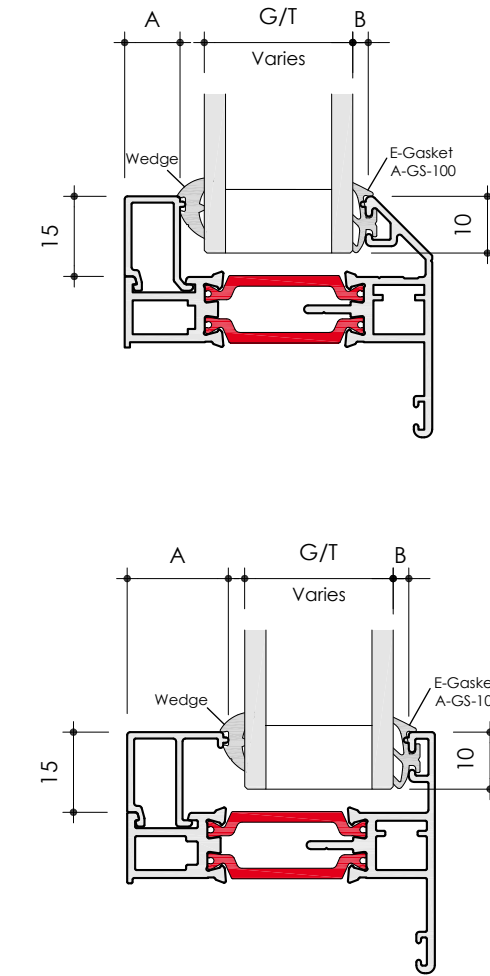


Glazing Options

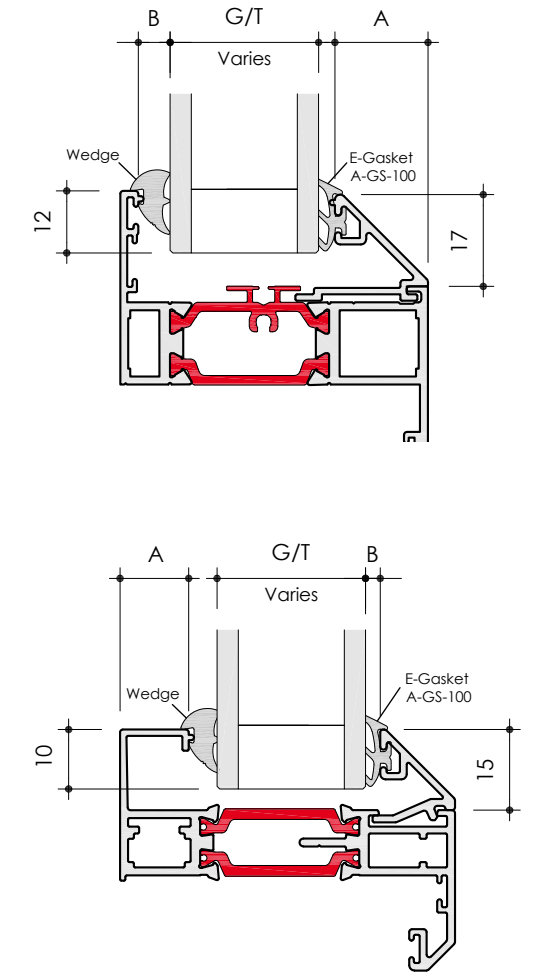


Every project is different, which is why our systems allow for both internal and external glazing options. We also offer glazing add-ons to suit heritage style applications such as Georgian bars.

Internally Glazed

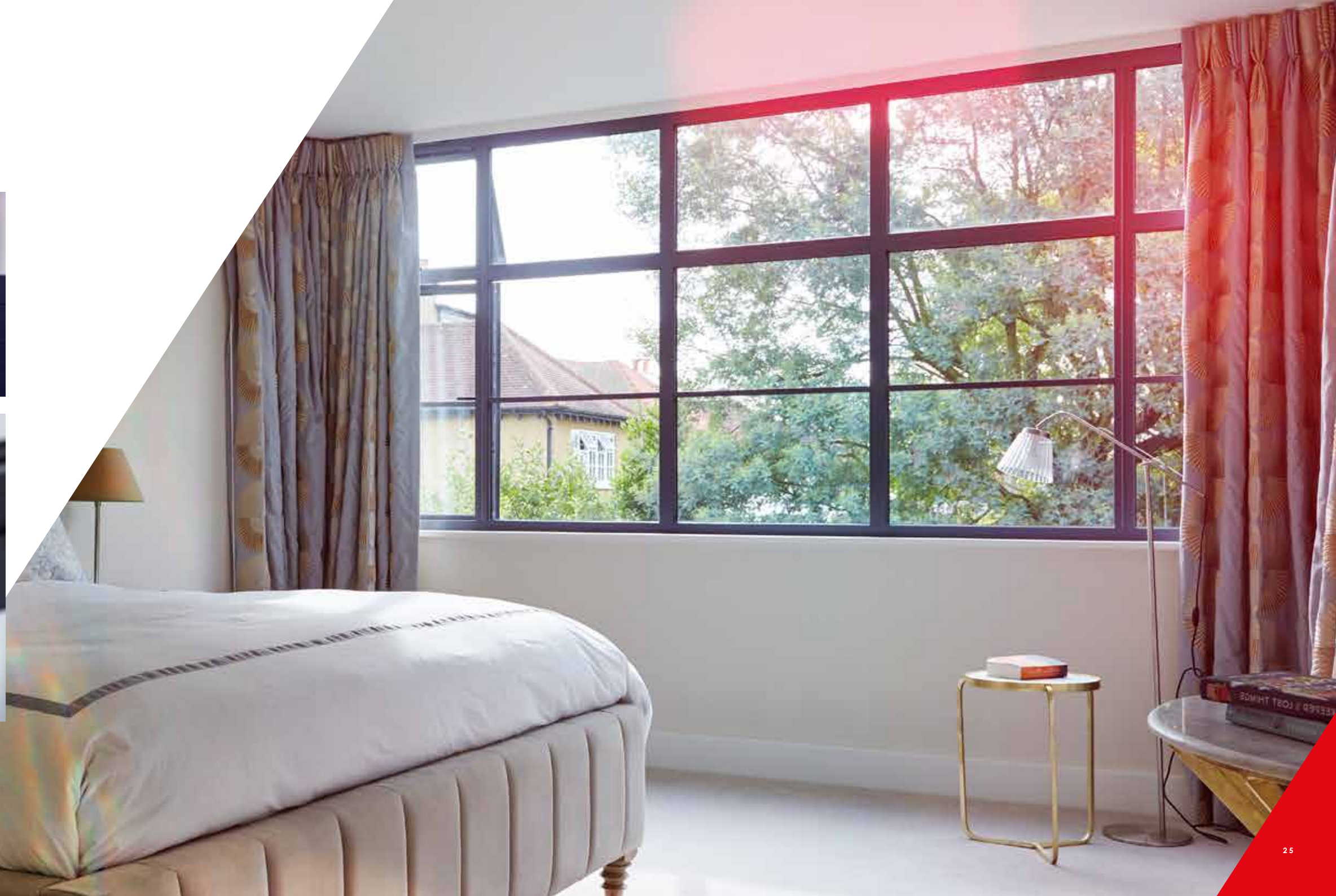


Externally Glazed



Finishing touches

Our hardware range of contemporary handles provide a modern, stylish look, utilising modern technology to result in secure, high performance windows.





Colourful choices

If there's one thing architects, specifiers and homeowners all have in common, it's the desire for choice. That's why we offer an extensive range of colours and finishes to boost the vibrancy of every project.

The range offers customers the freedom to let their imaginations run wild, whilst also providing installers with the quick turnaround and clear delivery schedules that they demand.

So whether it's a standard single or dual colour, or one of the many vibrant RAL colours available; the tone is set for service excellence.

STANDARD COLOURS

Hipca White 9910HG	Anthracite Grey 7016M
Chocolate Brown 8017M	Deep Black 9005M

STANDARD DUAL COLOURS

External Anthracite Grey 7016M	Internal Hipca WhiteHG 9910HG	External Deep Black 9005M	Internal Hipca WhiteHG 9910HG
--------------------------------------	-------------------------------------	---------------------------------	-------------------------------------

POPULAR RAL COLOURS

1013M	1015M	7044M	9001M
7034M	1019M	6021M	7032M
3005M	9010M	6003M	7021M

CUSTOM RAL COLOURS AVAILABLE



T: 01291 639 739
E: info.uk@aluk.com

Registered Office:
AluK (GB) Ltd
Newhouse Farm Ind Est
Chepstow
NP16 6UD

Registered Number:
02881320

aluk.co.uk

Experts in Aluminium

ALUK[®]